



TriflexAIR Seats

minimal space | maximum comfort

TriflexAIR 



Maximum space

with minimum effort



TriflexAIR Seats combine minimal space with maximum comfort. Its ergonomic design ensures long lasting comfort during long trips. With maximum safety features that goes above & beyond the highest standards. With its clever folding feature, it's easy to obtain maximum space in one minimal movement.

Key points

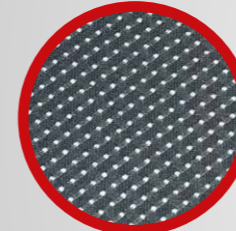
- * M1 Approved & tested according to the highest safety standards
- * Easy to fold/unfold in one effortless movement
- * Ergonomic and slimline design with high quality materials
- * Minimal space for maximum comfort for wheelchair passengers
- * Adjustable headrest allows unobstructed view
- * Integrated 3-point seatbelt
- * Available in multiple colours and upholstery



Height-adjustable headrest



User-friendly tipping seats



Breathable upholstery



Hidden ISOFIX attachment point



Three-point seatbelt



Ultrathin swivel

Maximum features

with minimum weight

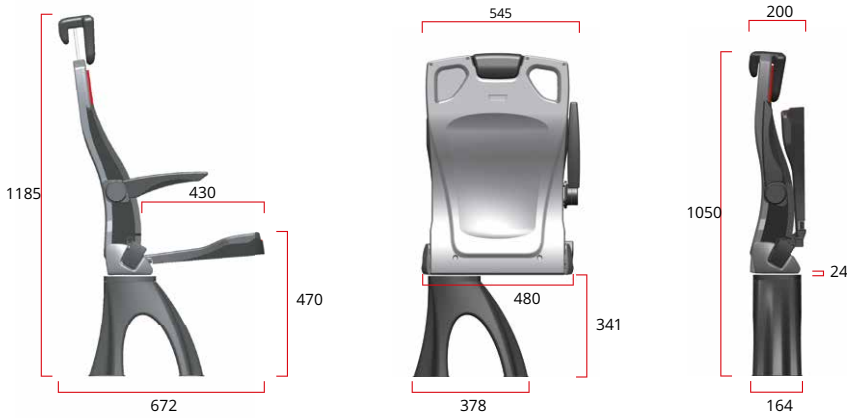


ISOFIX attachment point for child safety seats



Minimal weight | maximum dimensions

Dimensions



Weight

Seat (incl. headrest & seatbelt)	15.700 g
Armrest	0.960 g
Leg (mounted)	4.150 g
Swivel (mounted)	3.400 g
Wheelarch bracket kit for 1 seat	10.300 g
Wheelarch bracket kit for 2 seats	11.400 g



Standards & regulations:

- UN R14-07
- UN R16-06
- UN R17-08
- UN R21-01



All rights reserved. All information may be subject to changes and typographical errors.

VK-73-190704



Proostwetering 71
3543 AC Utrecht
The Netherlands

T +31 30 669 50 20
E info@tribus-group.com
I www.tribus-group.com

