

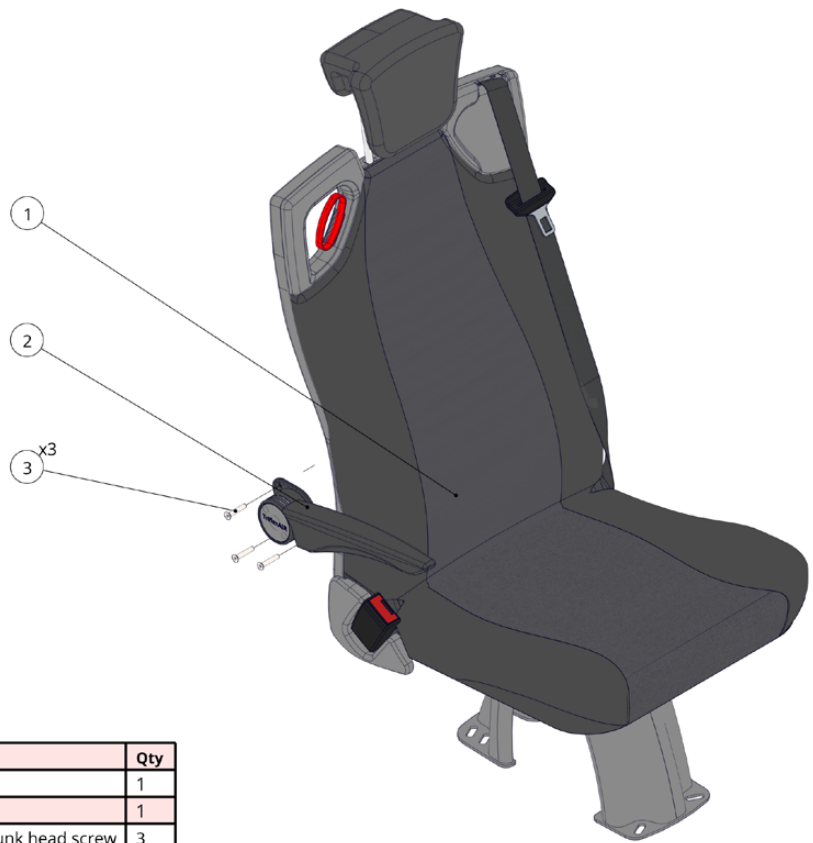


# Armrest installation

TriflexAIR seat

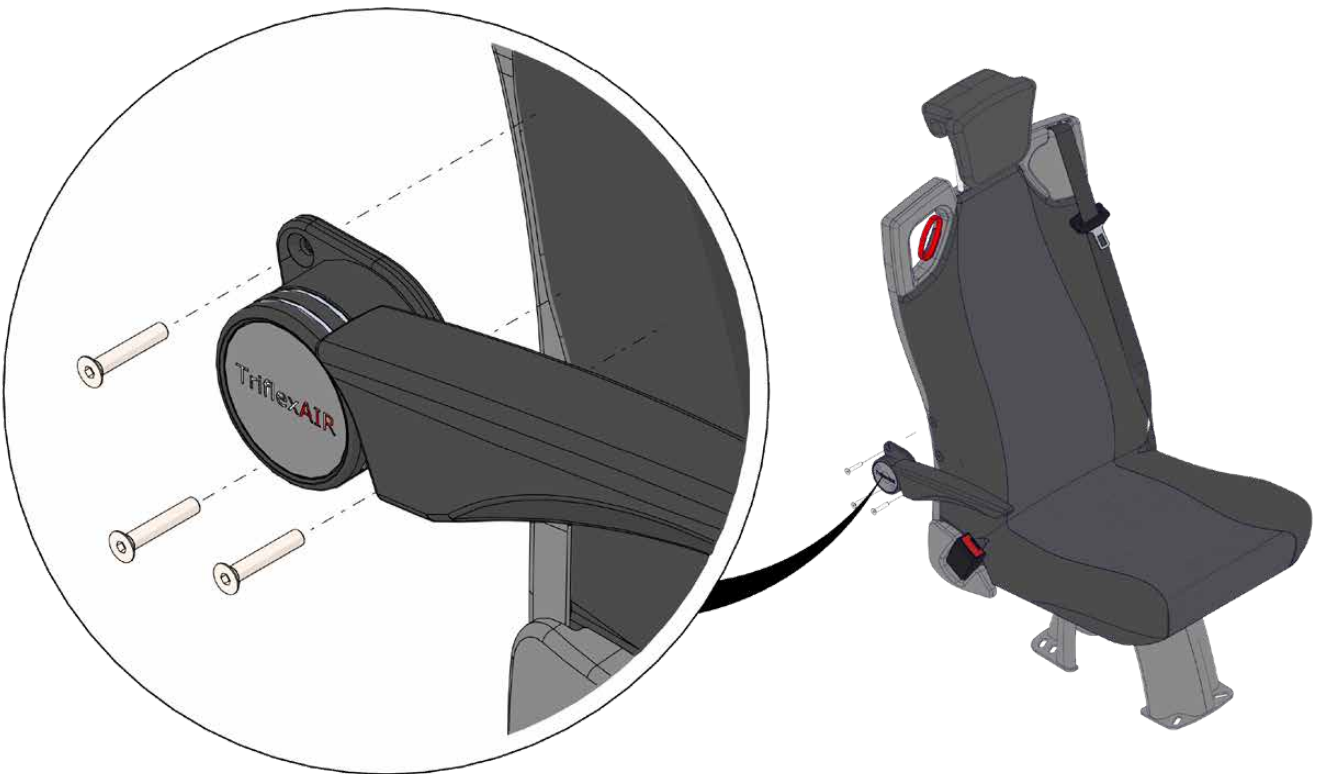
AS-79-190619

1

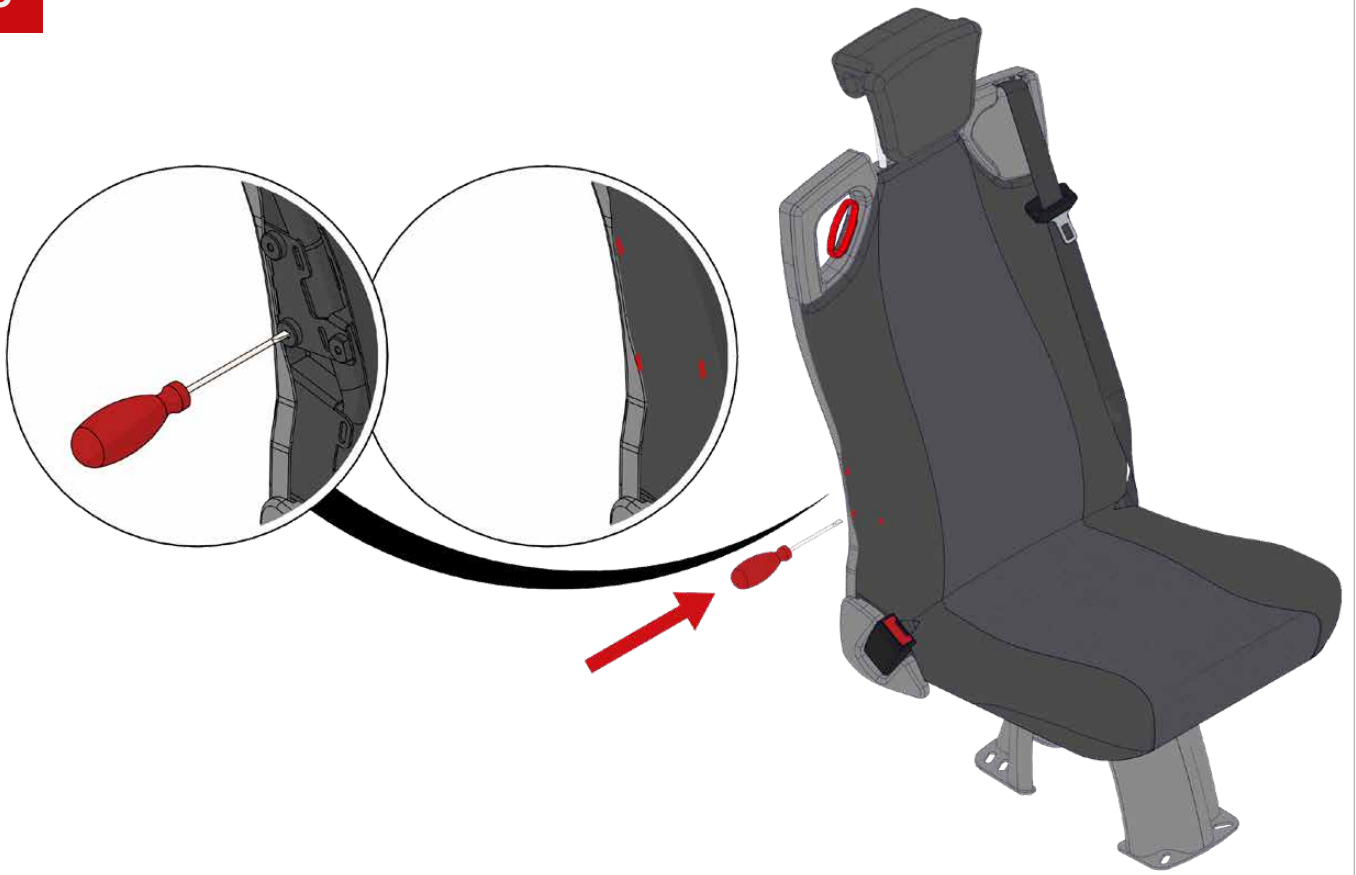


Item	Part number	Description	Qty
1	V-0000553003	TriflexAIR with support	1
2	0000553453	Right armrest for TriflexAIR seat	1
3	I-0000553006-8	M6x35 Hexagon socket countersunk head screw	3

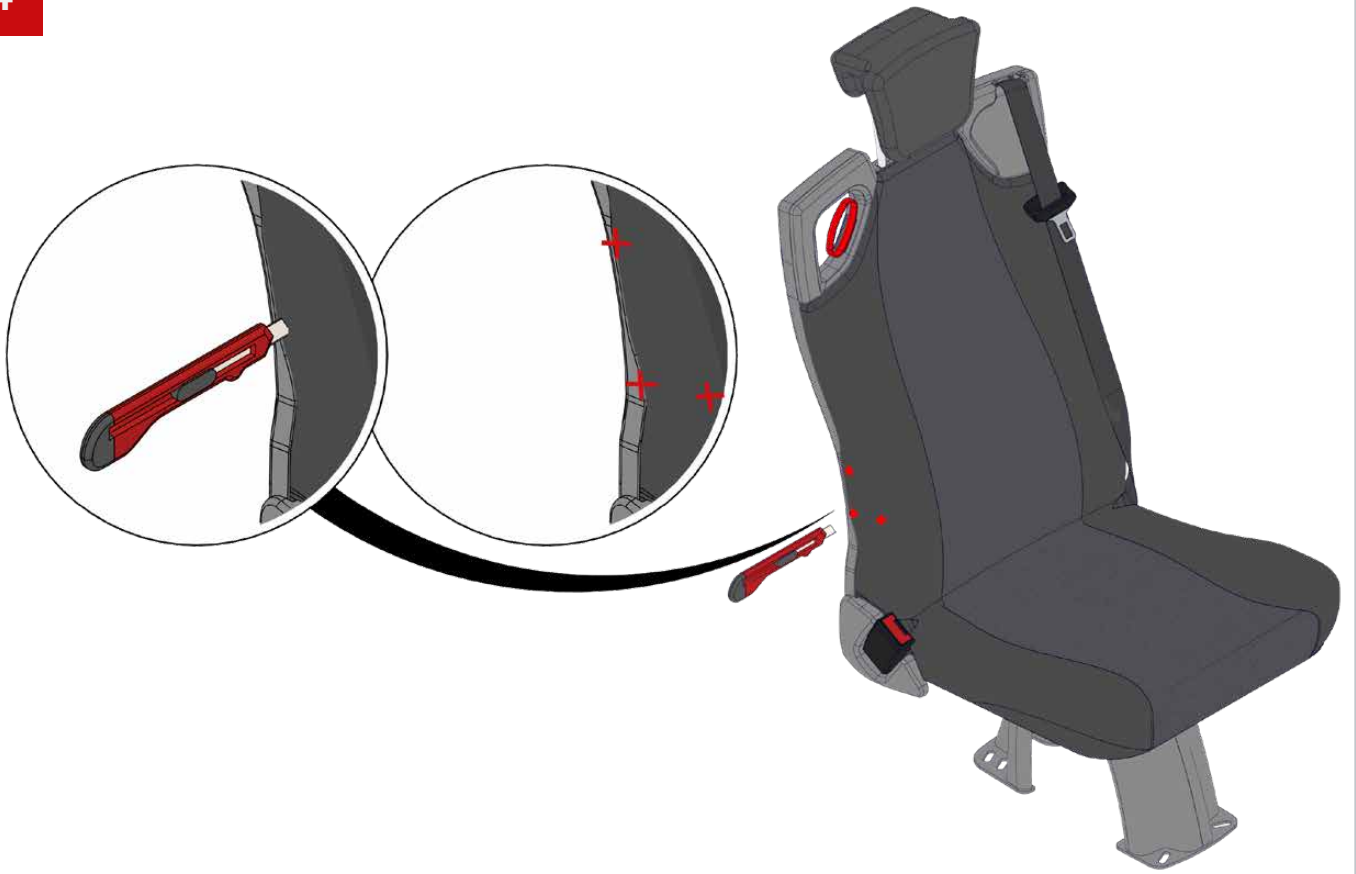
2



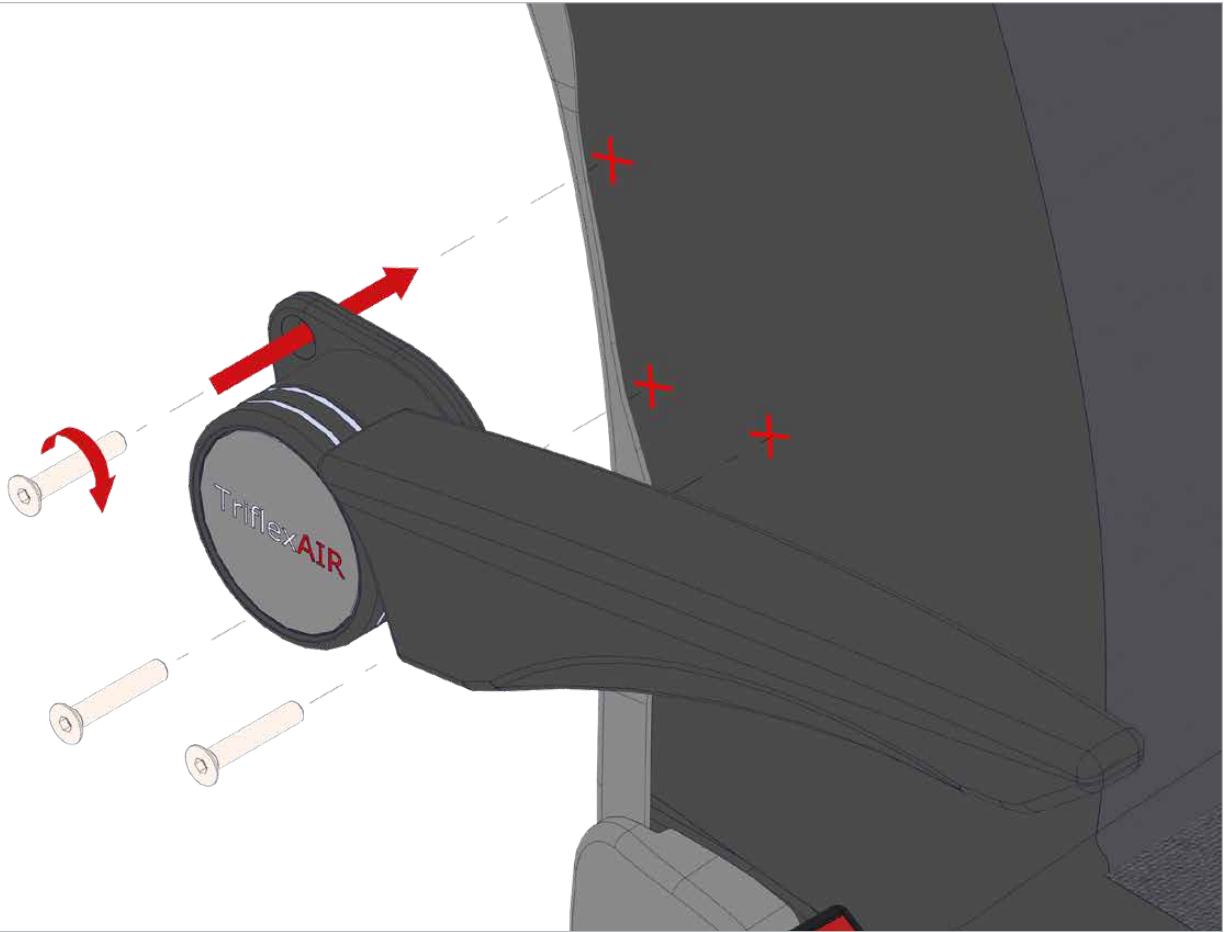
3



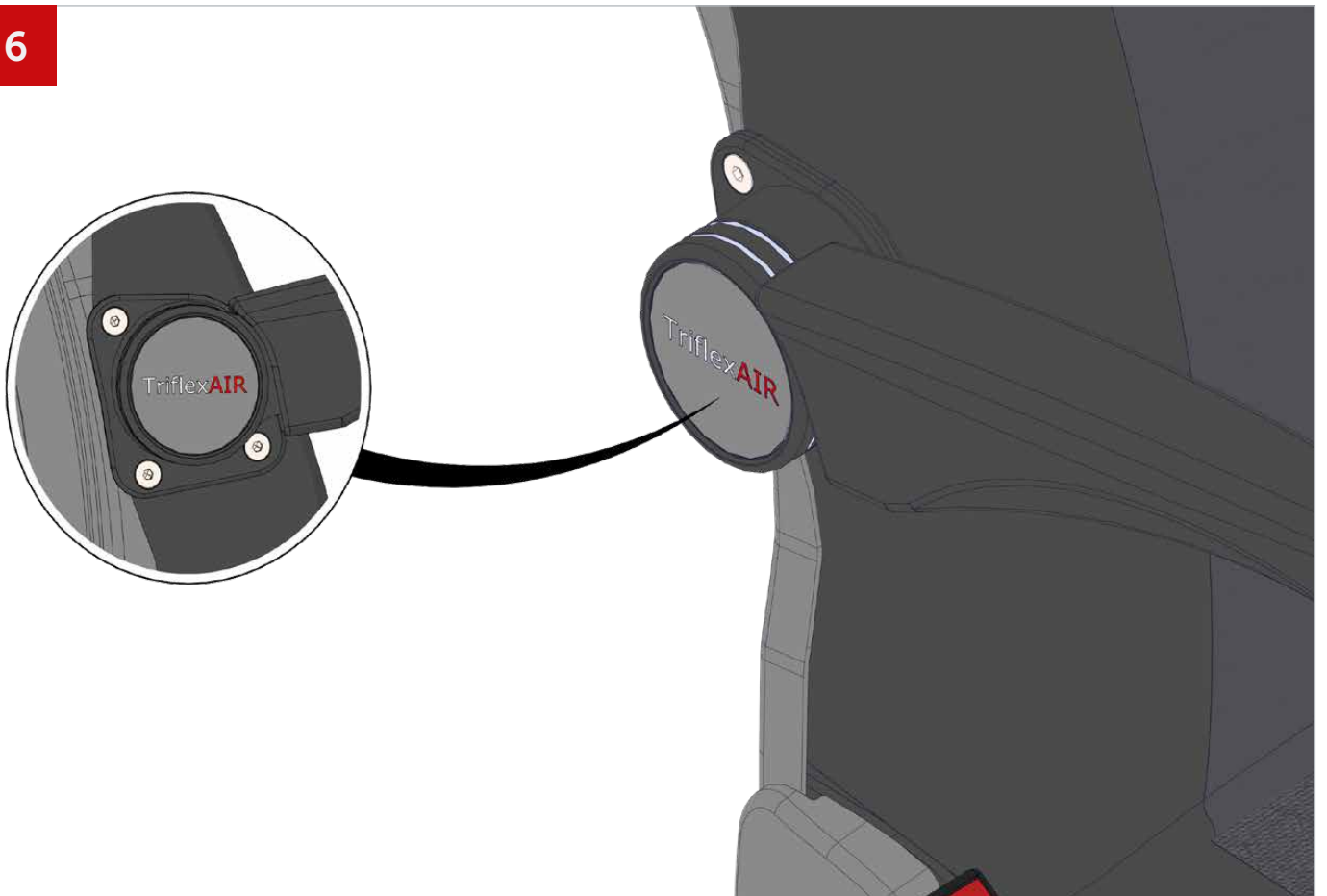
4



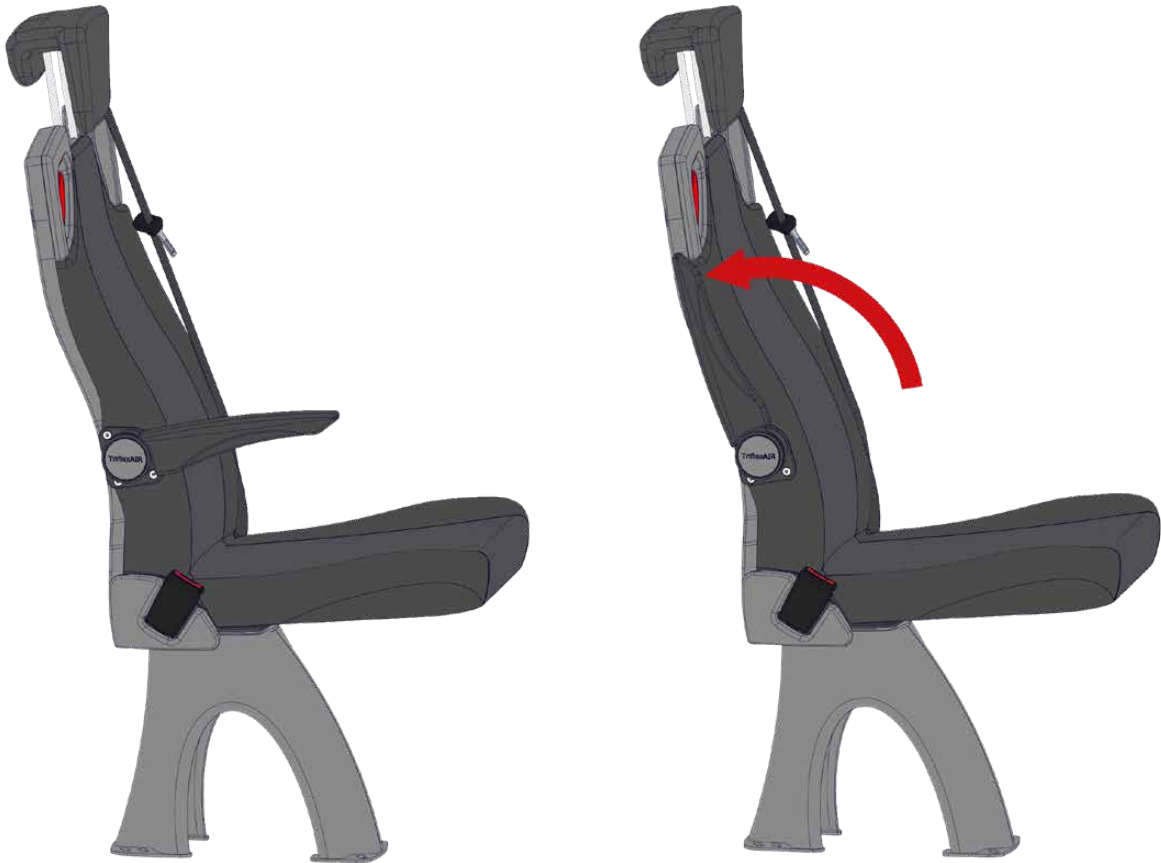
5



6



7



8





Creators of **innovative mobility**

All rights reserved. All information may be subject to changes and typographical errors.

Proostwetering 71  
3543AC UTRECHT

The Netherlands  
+31 30 669 50 20

[info@tribus-group.com](mailto:info@tribus-group.com)  
[www.tribus-group.com](http://www.tribus-group.com)