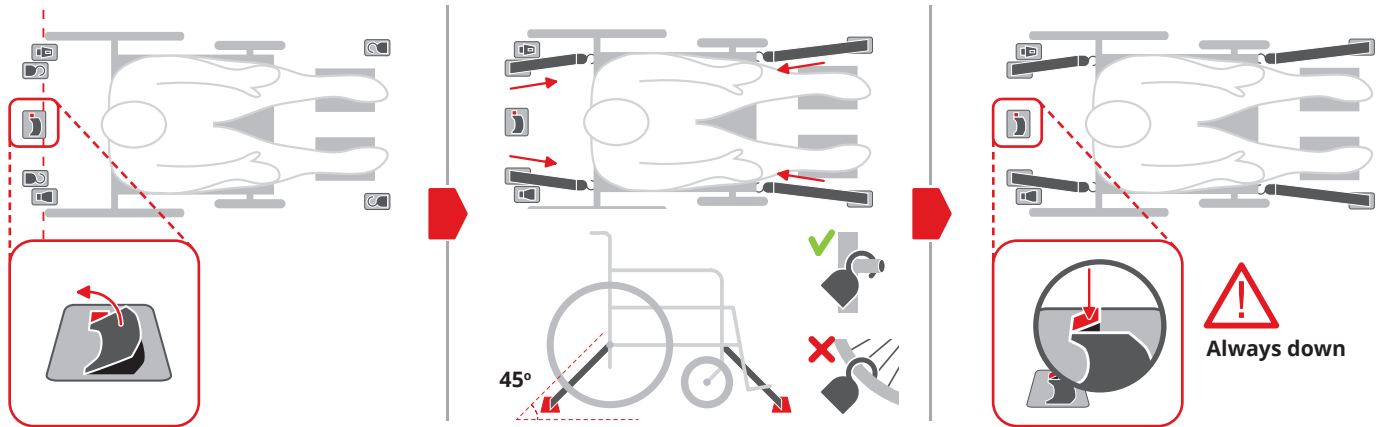


Securing wheelchairs

1. Securing a wheelchair



2. Putting on the three-point seatbelt

